

# HOMEPLUS® INSECT SCREEN



[www.homeplus.co.nz](http://www.homeplus.co.nz)

Find your perfect Insect Screen Solution. Call 0800 466 375



Venette Pleated Two Panel Retractable  
Screen Door (2C)

Your ultimate insect screen is a stylish architectural solution, literally opening up the screening possibilities for your home. Robust and modern, Venette pleated screens can be custom made for single, double, bifold and sliding doors, including multiple stacking doors with widths up to 5.8 metres.

Elegant and easy to use, Venette glides smoothly, can be stopped in any position and magnetically latches shut. The discrete 3mm track installs flat to the ground, so there is no bottom channel, or guide wires to trip on or step over.

Strong aluminium frames, high quality polyester pleated mesh and Kevlar guide wires combine with exclusive patented features to prevent the mesh from sagging.



Can be stopped in any position

Variety of configurations

**CUSTOM MADE IN NZ**

**SPECIFICATIONS**

**MAXIMUM HEIGHT** 3000mm      **MIN HEIGHT** 1020mm

**MAXIMUM SINGLE PANEL WIDTH\* (1E)**

1500mm (High Wind Zone 1000mm) (With Centre Support Rods 2000mm)

**MAXIMUM DOUBLE PANEL WIDTH\* (2C)**

3000mm (High Wind Zone 2000mm) (With Centre Support Rods 4000mm)

\*Each panel must be 300mm higher than the width

**FIXING** Reveal fix or face fix with buildout

**CUSTOM COLOUR SELECTION**

Dulux Duralloy® Plus powder coated in NZ, colour match to existing joinery

All other configurations please refer to HomePlus branch for advice.

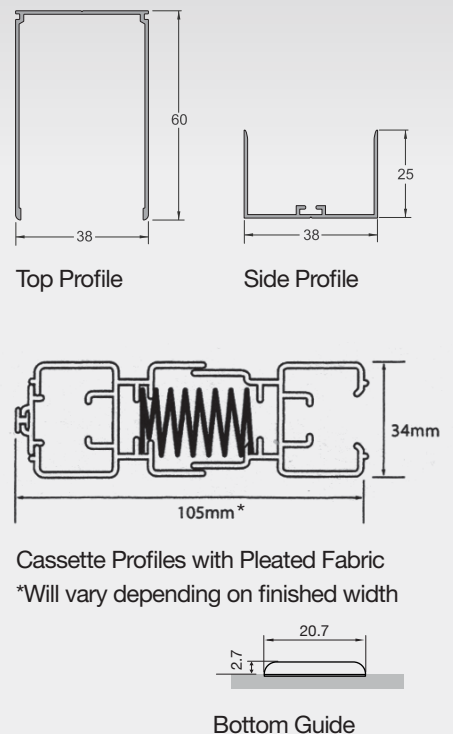
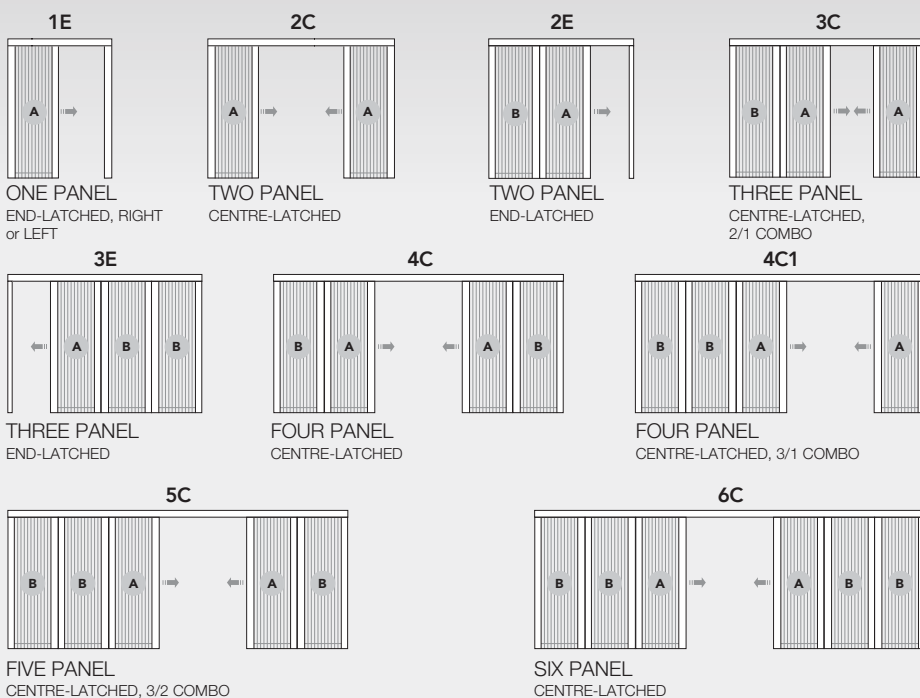


Low profile bottom rail

Easy to use

**Opening Configurations**

**Pleated Screen Part Profiles**



Cassette Profiles with Pleated Fabric  
\*Will vary depending on finished width

**LEGEND**

**A** END PANEL WITH MAGNETIC SEAL

**B** PANEL WITH CONNECTOR

Bottom Guide



Cicero One Panel Retractable  
Screen Door (1E)

New generation Cicero retractable insect screen doors combine the benefits of advanced retractable screen technology with a modern pleated mesh door design. Cicero screens are a revolution in retractable screen doors and offer a variety of screening options which are stylish, robust, and easy to use.

User-friendly features include integrated handles, full-length magnetic latching, and an adjustable rewinding function when the doors are being opened or stored away. Smooth and effortless to open, Cicero uses the same "caterpillar" function track system as the Venette Pleated Screens allowing for the screen to discreetly retract into the matching frame when not in use. The 5mm bottom guide is inconspicuous and low enough that there is nothing to trip on or step over.

Cicero screens use a slim, flat black mesh, with a highly transparent finish, in line with the most modern of insect screens on the market. When fitted into the quality aluminium frame, the mesh is extremely stable and has the added benefit of UV resistance for the harsh NZ environment.



Cicero Two Panel Retractable Screen Door (2C)

**CUSTOM MADE IN NZ**

**SPECIFICATIONS**

- MAX HEIGHT** 2200mm
- MIN HEIGHT** 1020mm
- MAX SINGLE PANEL WIDTH\* (1E)** 1800mm
- MAX DOUBLE PANEL WIDTH\* (2C)** 3600mm

\*Note: Notwithstanding the above the maximum width per panel = overall height less 300mm

**FIXING**

Reveal fix or face fix with buildout

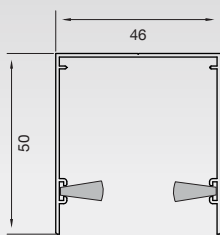
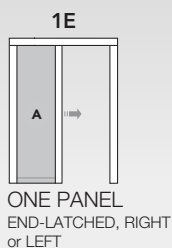
**CUSTOM COLOUR SELECTION**

Dulux Duralloy® Plus, colour match to existing joinery

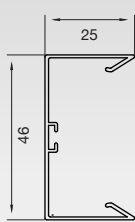


No bottom channel

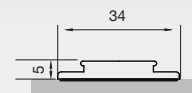
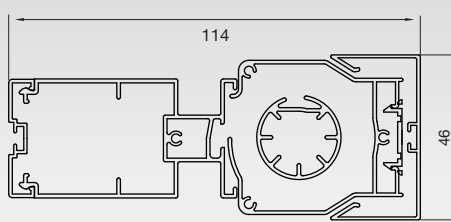
**Opening Configurations**



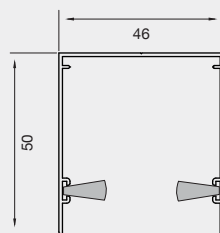
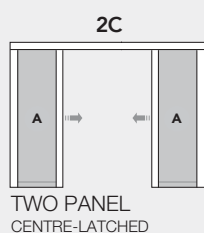
Top Profile



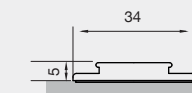
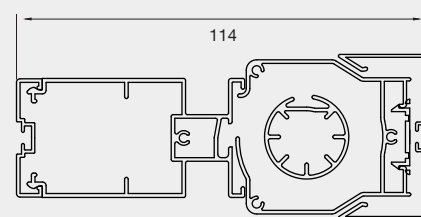
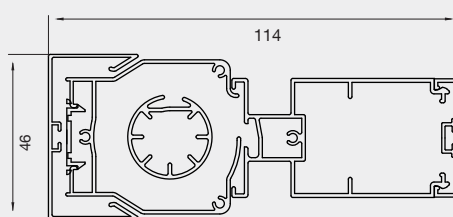
Side Profile



Bottom Guide



Top Profile



Bottom Guide

**LEGEND**

**A** END PANEL WITH MAGNETIC SEAL

Genius is an Italian-designed retractable screen door. A clever way to keep insects and mosquitoes at bay, Genius will roll into an attractive aluminium cassette when not in use and features a low profile 23mm aluminium bottom channel.

Other features include:

- Brake for safe and controlled retraction
- Full-length magnetic closing seals
- Blowout-resistant brush pile
- Two Cassette choices: 36mm or 46mm
- Double or single door configurations
- Optional full-length sturdy pull handle
- Similar vertical versions for windows (Page 11)

## CUSTOM MADE IN NZ

## SPECIFICATIONS

### SINGLE DOORS

**MIN WIDTH** 500mm  
**MAX WIDTH** S36 - 1500mm  
 S46 - 1700mm

**MIN HEIGHT** 1000mm  
**MAX HEIGHT** 2400mm

**INSECT MESH** Fibreglass 18x16 Charcoal / Pet Resistant Mesh

**HARDWARE** Stainless Steel Spring, Viscodynamic Brake, Anti-Wind Pile

**COMPONENTS** Black

**TOP GUIDE** 30mm

**BOTTOM GUIDE** 23mm

### CUSTOM COLOUR SELECTION

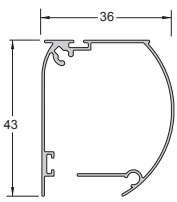
Dulux Duralloy® Plus, colour match to existing joinery

### DOUBLE DOORS

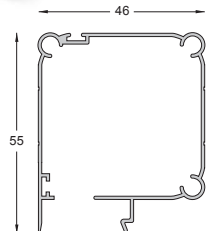
**MIN WIDTH** 1000mm  
**MAX WIDTH** S36 - 3000mm  
 S46 - 3400mm

**MIN HEIGHT** 1000mm  
**MAX HEIGHT** 2400mm

### Choice of Two Headbox Series



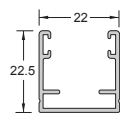
Series 36mm Headbox  
for smaller openings



Series 46mm Headbox  
for larger openings



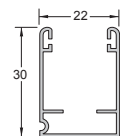
Expandable mesh -  
safety feature



Bottom guide



Viscodynamic brake



Side/Top guide





## VALENTIA™ SLIDING INSECT SCREEN DOORS

Sliding insect screen doors are lightweight and economical, ideal for screening either aluminium or timber sliding door joinery. The low installation depth of the external tracks makes them neat and versatile.

Valentia is the preferred insect screen solution for applications where wind gusts can be a problem for other types of screens. A combination of strong aluminium corners and non-visible adjustable nylon bottom rollers make for a sturdy and smooth sliding insect screen. A slim-line matching vision rail helps prevent children from accidentally running into the screen and powder coated aluminium frames can be colour-matched to your existing joinery. Infill options include pet-resistant mesh and Look Out™ One Way Vision Mesh.

### CUSTOM MADE IN NZ

### SPECIFICATIONS

<b>MAX HEIGHT</b>	2100mm
<b>MAX WIDTH</b>	1300mm
<b>INSECT MESH</b>	Juralco Fibreglass 17x14 Black, Pet Resistant or Look Out™ One Way Vision Mesh
<b>COLOURS</b>	Standard colour selection Powder Coated Arctic White, Anodised Bronze and Anodised Silver
<b>CUSTOM COLOUR SELECTION</b>	Dulux Duralloy® Plus, colour match to existing joinery



## VALENTIA™ HINGED INSECT SCREEN DOORS

Like the sliding version, Valentia hinged insect screen doors also offer a simple and convenient screening solution for both aluminium and timber doors and are great options for use in high-wind gust areas.

A matching vision rail helps prevent children from accidentally running into the screen and a choice of either locking or non-locking pull handles can be colour matched, along with the frame, to existing joinery. Automatic closing is a popular choice through the addition of an optional pneumatic door closer. Other options include a bottom kick rail to protect the mesh from accidental damage, One Way Vision Mesh, and pet-resistant mesh.

### CUSTOM MADE IN NZ

### SPECIFICATIONS

<b>MAX HEIGHT</b>	2100mm
<b>MAX WIDTH</b>	1100mm
<b>INSECT MESH</b>	Juralco Fibreglass 17x14 Black, Pet Resistant or Look Out™ One Way Vision Mesh
<b>COLOURS</b>	Standard colour selection Powder Coated Arctic White, Anodised Bronze and Anodised Silver
<b>CUSTOM COLOUR SELECTION</b>	Dulux Duralloy® Plus, colour match to existing joinery



Venette pleated window screens are the perfect choice to complement your pleated retractable sliding door screens. Due to the increasing popularity of pleated mesh insect screens a choice of vertical or horizontal opening window screens are now available.

Featuring the same black pleated mesh as the Venette retractable door screens, Venette window screens are unobtrusive when in use and stow away neatly when no longer needed. Side, top and bottom guides with Kevlar wires and the hidden tension system retain the pleated mesh within the screen rails. Integrated nylon runners at the end of the bottom rails, ensure the screen is smooth and easy to operate.

Vertical and horizontal Venette window screens use an ergonomic handle, integrated into the bottom or side frames, for easy opening and closing. Horizontal opening screens have a unique centralised operation, allowing these to be opened from either side (left or right of the centre) and stopped in any position. They are ideal for large, wide windows that need the flexibility of a screen that can be operated from any position.

Venette window insect screen top/side guides, and handle rails are all powder coated in New Zealand, to match your existing joinery.

CUSTOM MADE IN NZ

SPECIFICATIONS



## VERTICAL WINDOWS (1V)

<b>MIN WIDTH</b>	500mm	<b>MAX WIDTH</b>	1200mm (500mm-1800mm High) 1800mm (500mm-1000mm High)
<b>MIN HEIGHT</b>	500mm	<b>MAX HEIGHT</b>	1800mm

## HORIZONTAL WINDOWS (1D)\*

<b>MIN WIDTH</b>	1000mm	<b>MAX WIDTH</b>	3000mm
<b>MIN HEIGHT</b>	720mm	<b>MAX HEIGHT</b>	1300mm
<b>HEADRAIL &amp; SIDE GUIDES</b>	35mm		
<b>HEADRAIL CAPS &amp; RAIL GUIDES</b>	Black Nylon		
<b>BOTTOM GUIDE</b>	5mm (standard PC Black)		

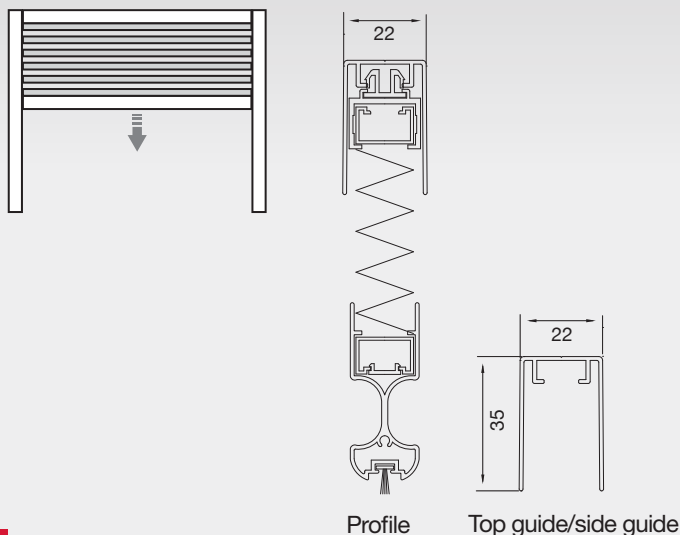
## CUSTOM COLOUR SELECTION

Dulux Duralloy® Plus, colour match to existing joinery

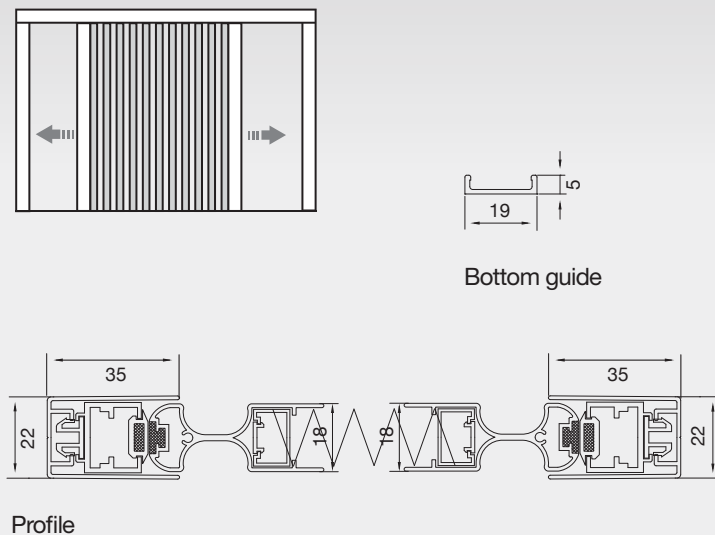
\*Not suitable for High Wind Zones

## Opening Configurations

### 1V VERTICAL OPENING



### 1D HORIZONTAL CENTRALISED OPENING



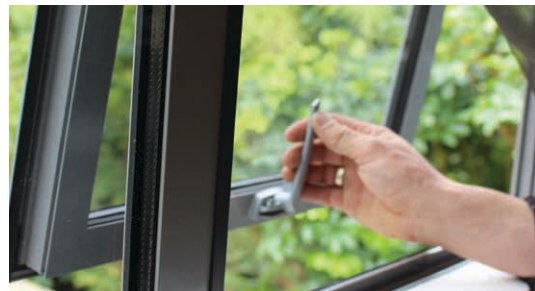


## MAGNETIC INSECT WINDOW SCREENS



Magnetic insect screens with their magnetic “snap shut” action present an economical and versatile screen option.

Custom-made in NZ and installed with a decorative cover strip that matches your existing joinery. Convenient pull tab handles help prevent screen damage when opening or closing your windows.



### CUSTOM MADE IN NZ

### SPECIFICATIONS

<b>MAX SIZE</b>	1.0 square metres
<b>INSECT MESH</b>	Juralco Fibreglass 17x14 Black
<b>FIXING</b>	Genuine 3M™ VHB™ Acrylic Tape
<b>COLOURS</b>	Black, Brown, Grey, Off White, White, New Denim Blue, Ironsand, and Karaka

### CUSTOM COLOUR SELECTION

Dulux Duralloy® Plus, colour match to existing joinery

## ALUMINIUM FRAME INSECT WINDOW SCREENS



### Hinged Insect Window Screens

**HINGED INSECT SCREEN** windows can be removed easily with the use of the optional two-piece hinging system, making cleaning and winter storage straightforward.



A mohair seal protects joinery and prevents insects from getting in between little gaps.

Removable Hinge



### Sliding Insect Window Screens

**SLIDING INSECT SCREEN** windows are effortless to open and close and can be simply removed if not required. Ideal for fitting to aluminium or timber joinery.

### CUSTOM MADE IN NZ

### SPECIFICATIONS

<b>MAX SIZE</b>	1.5 square metres
<b>INSECT MESH</b>	Juralco Fibreglass 17x14 Black

<b>COLOURS</b>	Standard colour selection: Powder coated White, Anodised Bronze and Anodised Silver
----------------	---

### CUSTOM COLOUR SELECTION

Dulux Duralloy® Plus, colour match to existing joinery



Complement your Genius retractable door with a similar window system. Retractable window screens are fitted with an attractive, matching headbox, allowing the insect screen to be rolled away neatly, when not required. With a choice of two head box systems, (36mm or 46mm) Genius retractable window screens combine modern Italian design with durable functionality.

A patented Viscodynamic brake is provided as a standard feature on all HomePlus retractable window screens to prevent the screen from snapping shut during retraction. A mohair seal along the bottom rail prevents damage to the windowsill. The head box, side channels and bottom rail are all powder coated here in New Zealand to match existing window joinery.



## CUSTOM MADE IN NZ

## SPECIFICATIONS

- MIN WIDTH** 500mm
- MAX WIDTH** S36 - 1500mm, S46 - 1800mm
- MIN HEIGHT** 500mm
- MAX HEIGHT** S36 - 1500mm, S46 - 2600mm
- SIDE GUIDES** 30mm
- ORIENTATION** Vertical
- COMPONENTS** Black

### CUSTOM COLOUR SELECTION

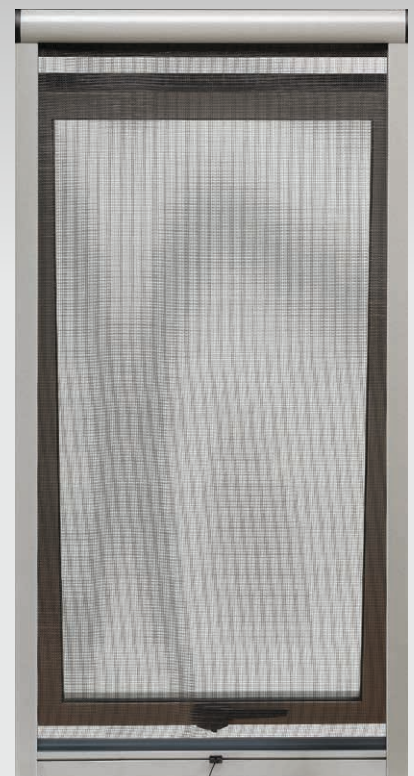
Dulux Duralloy® Plus, colour match to existing joinery



Fully Retracted Screen



Half Retracted Screen



Fully Closed Screen

# 10

## REASONS TO CHOOSE A HOMEPLUS INSECT SCREEN

- 1 ENJOY YOUR HOME MORE IN SUMMER**  
Open your home to let fresh air in without dirty, annoying insects!
- 2 CUSTOM MADE PROTECTION**  
Custom made to fit your window and door joinery exactly, from a wide choice of colours and configurations
- 3 DURABLE AND ENVIRONMENTALLY FRIENDLY**  
Quality NZ made screens for years of chemical free insect protection
- 4 EASY CLEAN AND EASY CARE**  
Durable, hard-wearing, and easily cleaned materials ensure a long-lasting product
- 5 INNOVATIVE PROTECTION**  
Advanced and patented insect protection with proven effectiveness based on multiple worldwide installations
- 6 TIMELESS DESIGN**  
Unobtrusive, elegant top quality materials
- 7 EXPERT SERVICE AND INSTALLATION**  
A wide range of screen options allied with expert advice will ensure the right screen solution is selected for the situation
- 8 VALUE FOR MONEY**  
Efficient local NZ manufacture and installation leveraging decades of experience
- 9 QUALITY FROM THE MARKET LEADER**  
HomePlus screens are sourced from Juralco, NZ largest supplier of insect screen systems
- 10 5 YEAR WARRANTY\***  
On aluminium and parts (excluding mesh)



\*For warranty terms and conditions see [www.homeplus.co.nz/warranty](http://www.homeplus.co.nz/warranty)

Available from:

Our team of professionals will help you to customise your new insect screen, with an onsite consultation that includes a no obligation measure and quote.

For more information call your local HomePlus store on **0800 466 375**



[www.homeplus.co.nz](http://www.homeplus.co.nz)

H/BR/INSECT/24WEB

The products in this catalogue are the subject of intellectual property protection. HomePlus®, the HomePlus Device® are registered trademarks of Juralco Aluminium Building Products Ltd. All dimensions given are approximate and should be checked prior to installation. Photographs or illustrations may not exactly match the specification available in your area. Please consult your nearest HomePlus display centre for advice. - ©Juralco Aluminium Building Products Ltd 2024